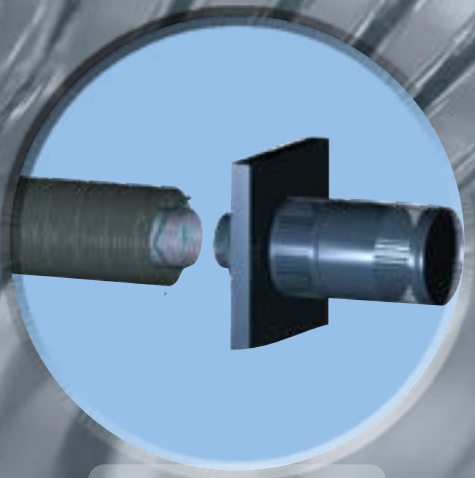


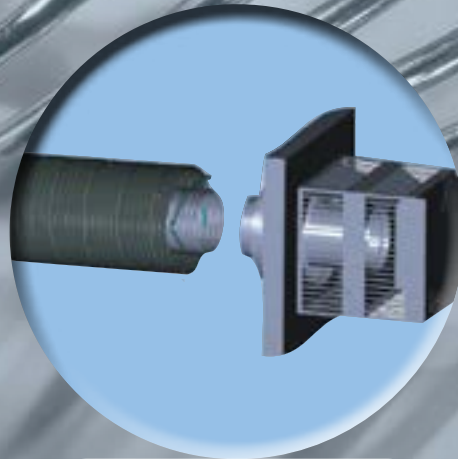


Direct Vent Kits

DVK Dimensional Data



DVK Horizontal Round Kit



DVK Horizontal Square Kit



DVK Vertical Kit

For Co-Axial Venting of Gas Fireplaces or Inserts

Applications

Direct Vent Kits (DVK) are used to co-axially vent natural or propane gas fired direct vent fireplaces or inserts certified to ANSI Z21.88/CSA 2.33 standards.

Construction

Co-Axial Aluminum Flex with Triple Lock Seams:

Inner flex vents flue gases to outdoors, while outer flex supplies combustion air from outdoors.

Please visit [GA DVI DVK Submittal](#) for additional information.

Terminations

Aluminum

Clearances

Consult appliance manufacturer's installation instructions.

Diameters (Inlet/Outlet in inches)

3/5, 3/6, 4/6, 4/7, 4.5/7.5, 5/7, 5/8, 6/8, 7/10 or 8/11

Lengths (in feet)

5', 10', 20', 40' or custom lengths

Listings

UL listed to UL2112 & ANSI Z21.88/CSA2.33 standards.

Available Kits

Please visit [DVK Co-Axial Brochure](#) for complete listing of kits and their contents.

Additional parts/kits available upon request.

Direct Vent Kits

DVK Dimensional Data

Contents

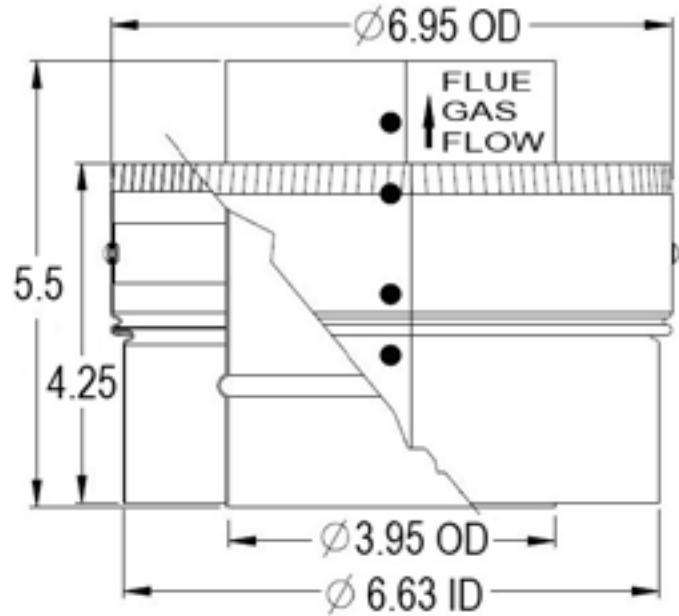
Flex Adaptor 4"/7"	1
Flex Adaptor 5"/8"	1
Wire Flex Spacer	2
Coupling (Flex)	2
Liner Support	3
4"-7" Wall Thimble	3
6"-11" Wall Thimble Extended	4
Siding Stand-Off	4
Termination Round	5
Termination Square	5
Firestop	6
Attic (Insulation) Shield	6
Insulation Collar	7
Roof Support	7
Adjustable Flashing 0°-30°	8
Adjustable Flashing 30°-45°	8
Rigid (Pipe)	9
Rigid Extension (Pipe)	9
Storm Collar	10
Vertical Termination	10

Direct Vent Kits

DVK Dimensional Data

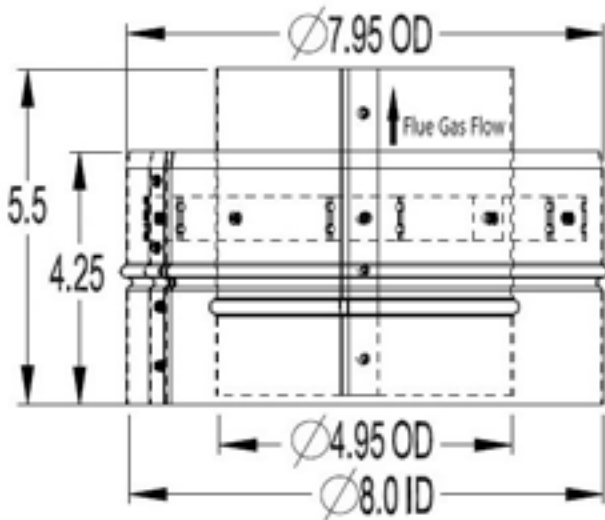
Flex Adaptor 4"/7"

Part Number	Included in Kits	For Use With
2DVFAD	Included in 2DVK407A	2DVK407__(VX, HR, HT)



Flex Adaptor 5"/8"

Part Number	Included in Kits	For Use With
2DVFAD58	Included in 2DVK508A	2DVK508__(VX, HR, HT)

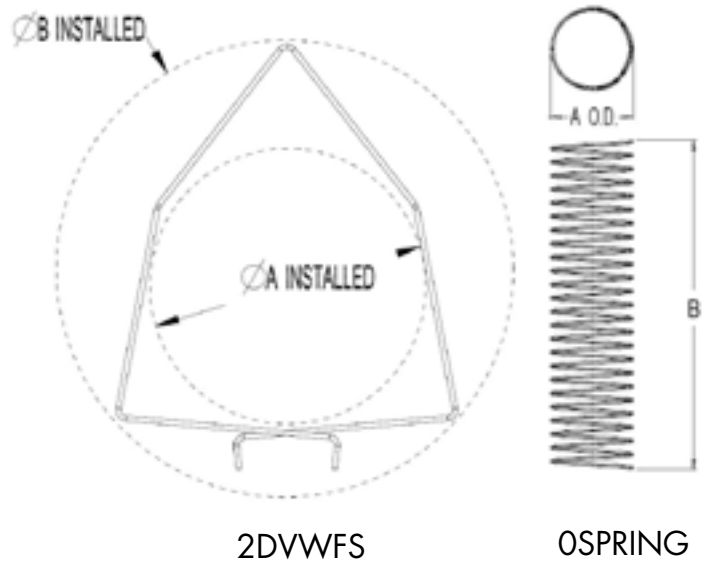


Direct Vent Kits

DVK Dimensional Data

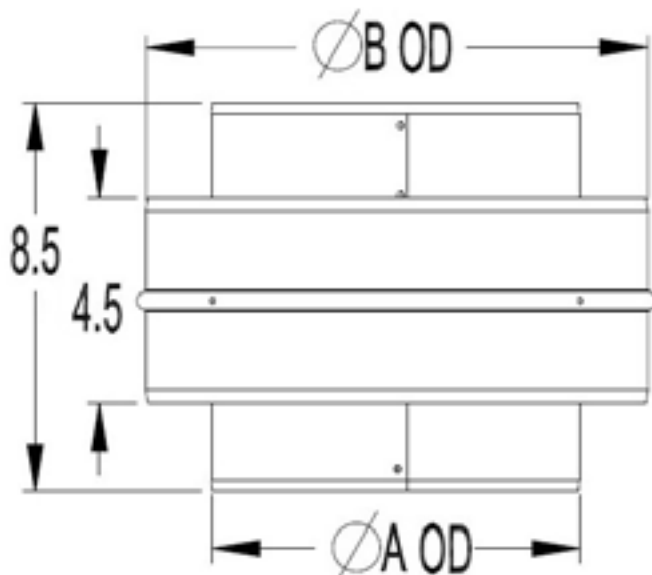
Wire Flex Spacer

A	B	Part Number	Included in Kits
3	5	2DVWFS35	2DVK35S & 2DVK305__(X, VX, HR, HT) & 2DVKRE35
3	6	2DVWFS36	2DVK36S & 2DVK306__(X, VX, HR, HT) & 2DVKRE36
4	6	2DVWFS46	2DVK46S & 2DVK406__(X, VX, HR, HT) & 2DVKRE46
4	7	2DVWFS47	2DVK47S & 2DVK407__(X, VX, HR, HT) & 2DVKRE47
4.5	7.5	2DVWFS4.57.5	2DVK4.57.5S & 2DVK4.507.5__(X, VX, HR, HT) & 2DVKRE4.57.5
5	7	2DVWFS57	2DVK57S & 2DVK507__(X, VX, HR, HT) & 2DVKRE57
5	8	2DVWFS58	2DVK58S & 2DVK508__(X, VX, HR, HT) & 2DVKRE58
6	8	2DVWFS68	2DVK68S & 2DVK608__(X, VX, HR, HT) & 2DVKRE68
7	10	2DVWFS710	2DVK710S & 2DVK710__(X, VX, HR, HT) & 2DVKRE710
8	11	2DVWFS811	2DVK811S & 2DVK811__(X, VX, HR, HT) & 2DVKRE811



Spring Spacer - ALTERNATE

A	B	Part Number	Included in Kits
0.75	6	OSPRING	Alternate to 2DVWFS(35, 46, 57, 68)
1.25	5	OSPRING01	Alternate to 2DVWFS(36, 47, 4.57.5, 58)
1.25	7	OSPRING02	Alternate to 2DVWFS(710, 811)



Coupling (Flex)

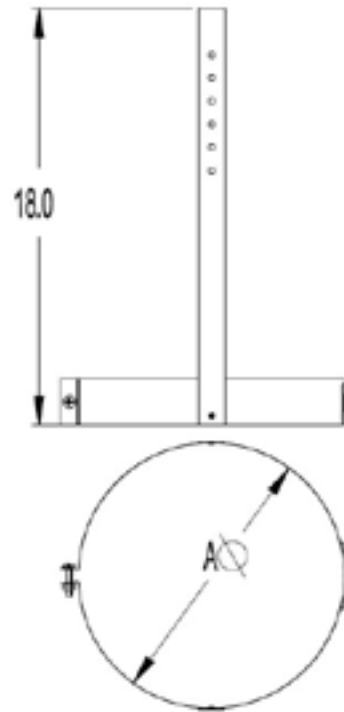
A	B	Part Number	Included in Kits	For Use With
2.95	4.95	2DVC35	2DVK305C & 2DVK30520X	2DVK305__(VX, HR, HT)
2.95	5.95	2DVC36	2DVK306C & 2DVK30620X	2DVK306__(VX, HR, HT)
3.95	5.95	2DVC46	2DVK406C & 2DVK40620X	2DVK406__(VX, HR, HT)
3.95	6.95	2DVC47	2DVK407C & 2DVK40720X	2DVK407__(VX, HR, HT)
4.45	7.45	2DVC4.57.5	2DVK4.507.5C & 2DVK4.507.520X	2DVK4.507.5__(VX, HR, HT)
4.95	6.95	2DVC57	2DVK507C & 2DVK50720X	2DVK507__(VX, HR, HT)
4.95	7.95	2DVC58	2DVK508C & 2DVK50820X	2DVK508__(VX, HR, HT)
5.95	7.95	2DVC68	2DVK608C & 2DVK60820X	2DVK608__(VX, HR, HT)
6.95	9.95	2DVC710	2DVK710C & 2DVK71020X	2DVK710__(VX, HR, HT)
7.95	10.95	2DVC811	2DVK811C & 2DVK81120X	2DVK811__(VX, HR, HT)

Direct Vent Kits

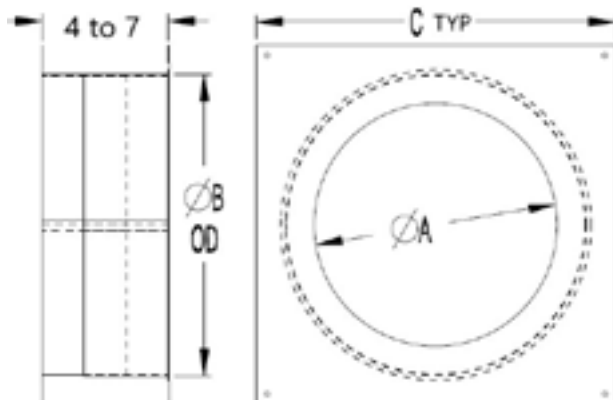
DVK Dimensional Data

Liner Support

A	Part Number	Included in Kits	For Use With
5.5	2DVLS35	2DVK05SUP & 2DVK305__(X, VX, HR, HT)	2DVK305__(VX, HR, HT)
6.5	2DVLS46	2DVK06SUP & 2DVK(3,4)06__(X, VX, HR, HT)	2DVK(3,4)06__(VX, HR, HT)
7.5	2DVLS47	2DVK07SUP & 2DVK(4,5)07__(X, VX, HR, HT)	2DVK(4,5)07__(VX, HR, HT)
8	2DVLS4.57.5	2DVK07.5SUP & 2DVK4.507.5__(X, VX, HR, HT)	2DVK4.507.5__(VX, HR, HT)
8.5	2DVLS58	2DVK08SUP & 2DVK(5,6)08__(X, VX, HR, HT)	2DVK(5,6)08__(VX, HR, HT)
10.5	2DVLS710	2DVK10SUP & 2DVK710__(X, VX, HR, HT)	2DVK710__(VX, HR, HT)
11.5	2DVLS811	2DVK11SUP & 2DVK811__(X, VX, HR, HT)	2DVK811__(VX, HR, HT)



4"-7" Wall Thimble



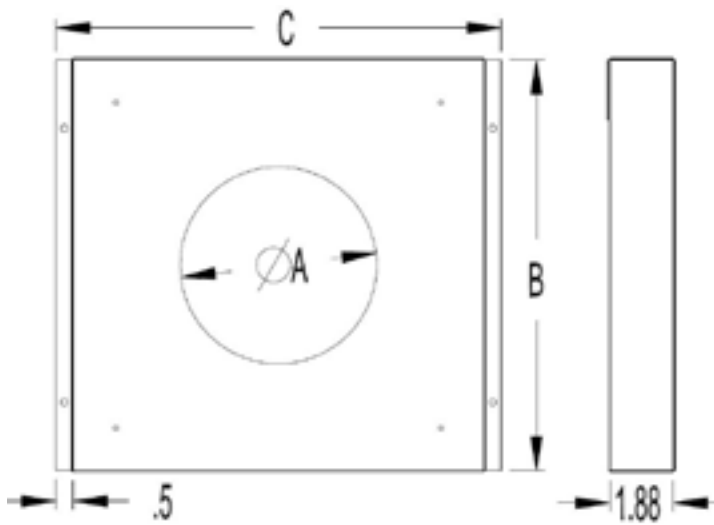
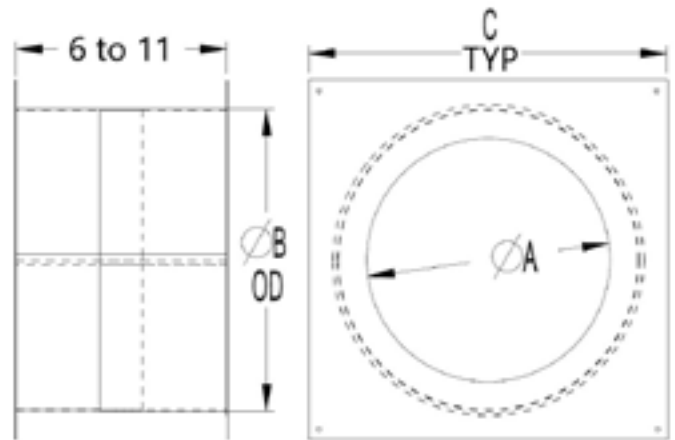
A	B	C	Part Number	Included in Kits	For Use With
5.75	8.5	11	2DVWT35	2DVK05WT	2DVK305__(HR, HT)
6.75	9.5	12	2DVWT46	2DVK06WT	2DVK(3,4)06__(HR, HT)
7.75	10.5	13	2DVWT47	2DVK07WT	2DVK(4,5)07__(HR, HT)
8.25	11	13.5	2DVWT4.57.5	2DVK07.5WT	2DVK4.507.5__(HR, HT)
8.75	11.5	14	2DVWT58	2DVK08WT	2DVK(5,6)08__(HR, HT)
10.75	13.5	16	2DVWT710	2DVK10WT	2DVK710__(HR, HT)
11.75	14.5	17	2DVWT811	2DVK11WT	2DVK811__(HR, HT)

Direct Vent Kits

DVK Dimensional Data

6"-11" Wall Thimble Extended

A	B	C	Part Number	Included in Kits	For Use With
5.75	8.5	11	2DVWTE35	2DVK05WTE	2DVK305__(HR, HT)
6.75	9.5	12	2DVWTE46	2DVK06WTE	2DVK(3,4)06__(HR, HT)
7.75	10.5	13	2DVWTE47	2DVK07WTE	2DVK(4,5)07__(HR, HT)
8.25	11	13.5	2DVWTE4.57.5	2DVK07.5WTE	2DVK4.507.5__(HR, HT)
8.75	11.5	14	2DVWTE58	2DVK08WTE	2DVK(5,6)08__(HR, HT)
10.75	13.5	16	2DVWTE710	2DVK10WTE	2DVK710__(HR, HT)
11.75	14.5	17	2DVWTE811	2DVK11WTE	2DVK811__(HR, HT)



Siding Stand-Off

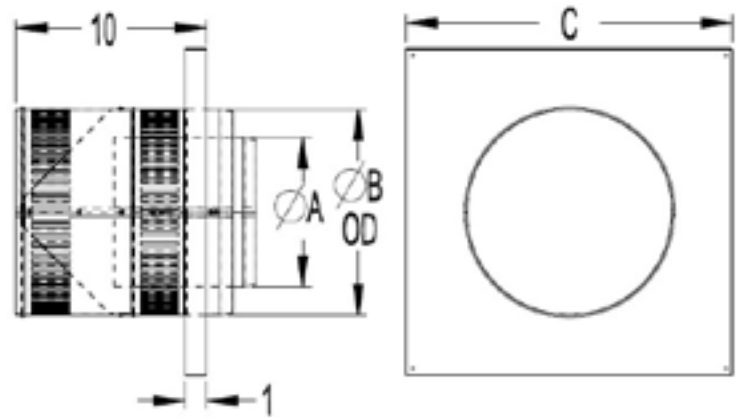
A	B	C	Part Number	Included in Kits	For Use With
5.75	12	13	2DVSS35	2DVK05SS	2DVK305__(HR, HT)
6.75	13	14	2DVSS46	2DVK06SS	2DVK(3,4)06__(HR, HT)
7.75	14	15	2DVSS47	2DVK07SS	2DVK(4,5)07__(HR, HT)
8.25	14.5	15.5	2DVSS4.57.5	2DVK07.5SS	2DVK4.507.5__(HR, HT)
8.75	15	16	2DVSS58	2DVK08SS	2DVK(5,6)08__(HR, HT)
10.75	17	18	2DVSS710	2DVK10SS	2DVK710__(HR, HT)
11.75	18	19	2DVSS811	2DVK11SS	2DVK811__(HR, HT)

Direct Vent Kits

DVK Dimensional Data

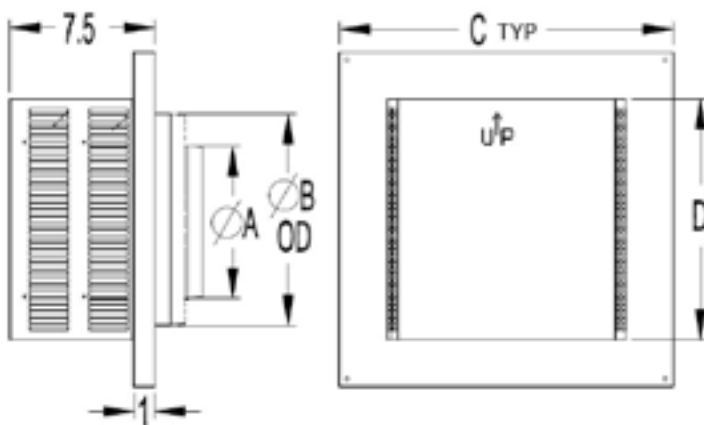
Termination Round

A	B	C	Part Number	Included in Kits
2.95	4.95	11.25	2DVTR35	2DVK305__HR
2.95	5.95	12.25	2DVTR36	2DVK306__HR
3.95	5.95	12.25	2DVTR46	2DVK406__HR
3.95	6.95	13.25	2DVTR47	2DVK407__HR
4.45	7.45	13.75	2DVTR4.57.5	2DVK4.507.5__HR
4.95	6.95	13.25	2DVTR57	2DVK507__HR
4.95	7.95	14.25	2DVTR58	2DVK508__HR
5.95	7.95	14.25	2DVTR68	2DVK608__HR
6.95	9.95	16.25	2DVTR710	2DVK710__HR
7.95	10.95	17.25	2DVTR811	2DVK811__HR



Termination Square

A	B	C	D	Part Number	Included in Kits
2.95	4.95	11.25	7.5	2DVTS35	2DVK305__HT
2.95	5.95	12.25	8.5	2DVTS36	2DVK306__HT
3.95	5.95	12.25	8.5	2DVTS46	2DVK406__HT
3.95	6.95	13.25	9.5	2DVTS47	2DVK407__HT
4.45	7.45	13.75	10	2DVTS4.57.5	2DVK4.507.5__HT
4.95	6.95	13.25	9.5	2DVTS57	2DVK507__HT
4.95	7.95	14.25	10.5	2DVTS58	2DVK508__HT
5.95	7.95	14.25	10.5	2DVTS68	2DVK608__HT
6.95	9.95	16.25	12.5	2DVTS710	2DVK710__HT
7.95	10.95	17.25	12.5	2DVTS811	2DVK811__HT

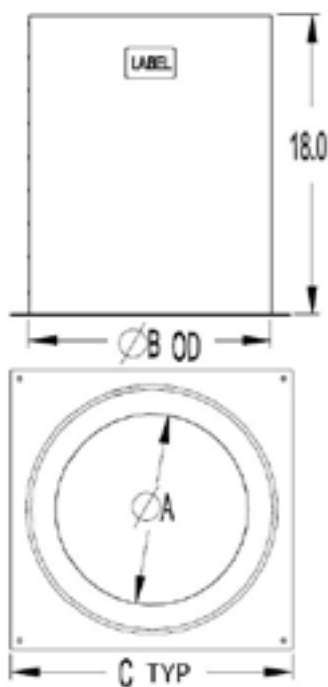
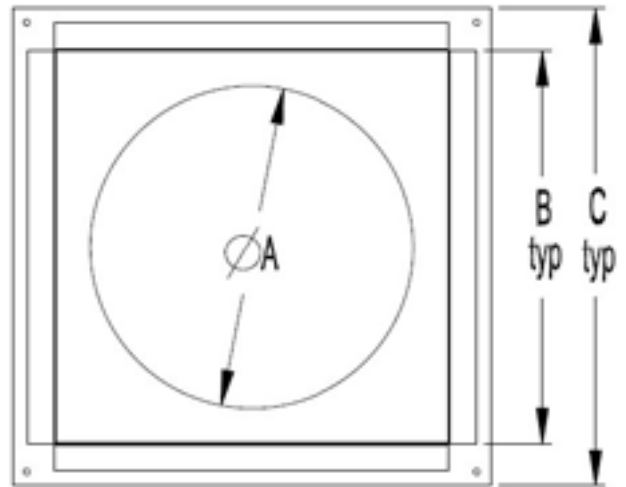


Direct Vent Kits

DVK Dimensional Data

Firestop

A	B	C	Part Number	Included in Kits	For Use With
5.5	8.5	11	2DVFS35	2DVK05(FS,FSIS) & 2DVK305__VX	2DVK305__VX
6.5	9.5	12	2DVFS46	2DVK06(FS,FSIS) & 2DVK406__VX	2DVK406__VX
7.5	10.5	13	2DVFS47	2DVK07(FS,FSIS) & 2DVK407__VX	2DVK407__VX
8	11	13.5	2DVFS4.57.5	2DVK07.5(FS,FSIS) & 2DVK4.507.5__VX	2DVK4.507.5__VX
8.5	11.5	14	2DVFS58	2DVK08(FS,FSIS) & 2DVK508__VX	2DVK508__VX
10.5	13.5	16	2DVFS710	2DVK10(FS,FSIS) & 2DVK710__VX	2DVK710__VX
11.5	14.5	17	2DVFS811	2DVK11(FS,FSIS) & 2DVK811__VX	2DVK811__VX



Attic (Insulation) Shield

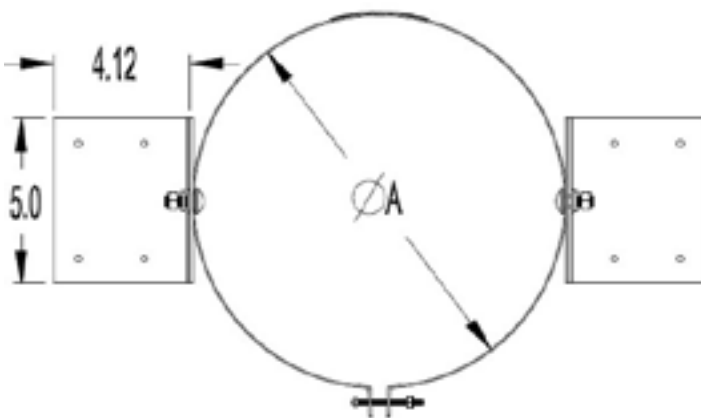
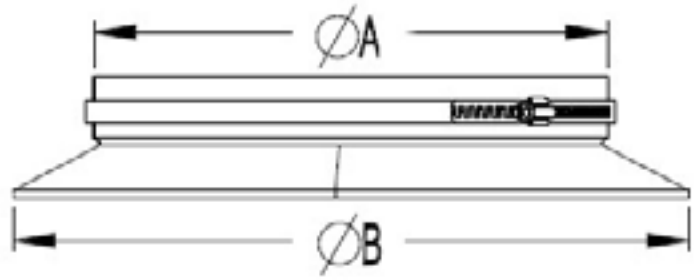
A	B	C	Part Number	Included in Kits	For Use With
5.75	8.5	11	2DVAS35	2DVK05FSIS & 2DVK305__VX	2DVK305__VX
6.75	9.5	12	2DVAS46	2DVK06FSIS & 2DVK406__VX	2DVK406__VX
7.75	10.5	13	2DVAS47	2DVK07FSIS & 2DVK407__VX	2DVK407__VX
8.25	11	13.5	2DVAS4.57.5	2DVK07.5FSIS & 2DVK4.507.5__VX	2DVK4.507.5__VX
8.75	11.5	14	2DVAS58	2DVK08FSIS & 2DVK508__VX	2DVK508__VX
10.75	13.5	16	2DVAS710	2DVK10FSIS & 2DVK710__VX	2DVK710__VX
11.75	14.5	17	2DVAS811	2DVK11FSIS & 2DVK811__VX	2DVK811__VX

Direct Vent Kits

DVK Dimensional Data

Insulation Collar

A	B	Part Number	Included in Kits	For Use With
5.25	8.75	2DVIC35	2DVK05FSIS & 2DVK305__VX	2DVK305__VX
6.25	9.75	2DVIC46	2DVK06FSIS & 2DVK(3,4)06__VX	2DVK406__VX
7.25	10.75	2DVIC47	2DVK07FSIS & 2DVK(4,5)07__VX	2DVK407__VX
7.75	11.25	2DVIC4.57.5	2DVK07.5FSIS & 2DVK4.507.5__VX	2DVK4.507.5__VX
8.25	11.75	2DVIC58	2DVK08FSIS & 2DVK(5,6)08__VX	2DVK508__VX
10.25	13.75	2DVIC710	2DVK10FSIS & 2DVK710__VX	2DVK710__VX
11.25	14.75	2DVIC811	2DVK11FSIS & 2DVK811__VX	2DVK811__VX



Roof Support

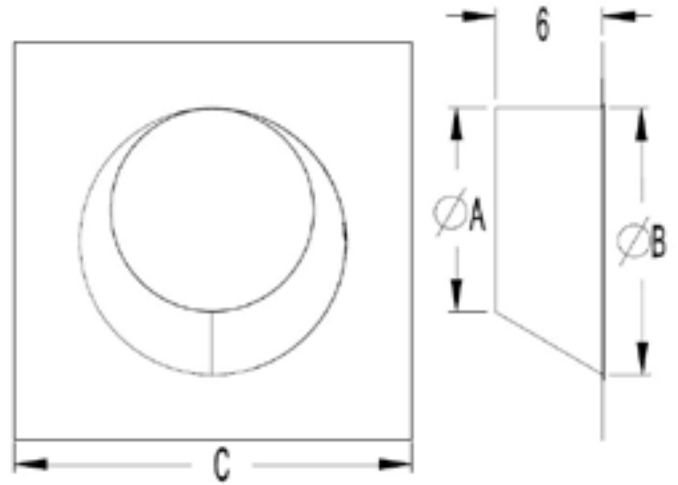
A	Part Number	Included in Kits
4.95	2DVRS35	2DVK305__VX
5.95	2DVRS46	2DVK(3,4)06__VX
6.95	2DVRS47	2DVK(4,5)07__VX
7.45	2DVRS4.57.5	2DVK4.507.5__VX
7.95	2DVRS58	2DVK(5,6)08__VX
9.95	2DVRS710	2DVK710__VX
10.95	2DVRS811	2DVK811__VX

Direct Vent Kits

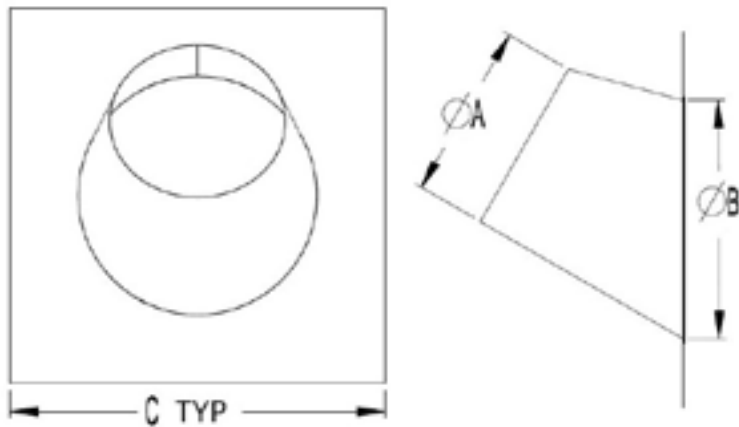
DVK Dimensional Data

Adjustable Flashing 0°-30°

A	B	C	Part Number	Included in Kits
5.25	8.75	17	2DVAF35	2DVK305__VX
6.25	9.75	18	2DVAF46	2DVK(3,4)06__VX
7.25	10.75	19	2DVAF47	2DVK(4,5)07__VX
7.75	11.25	19.5	2DVAF4.57.5	2DVK4.507.5__VX
8.25	11.75	20	2DVAF58	2DVK(5,6)08__VX
10.25	13.75	22	2DVAF710	2DVK710__VX
11.25	14.75	23	2DVAF811	2DVK811__VX



Adjustable Flashing 30°-45°



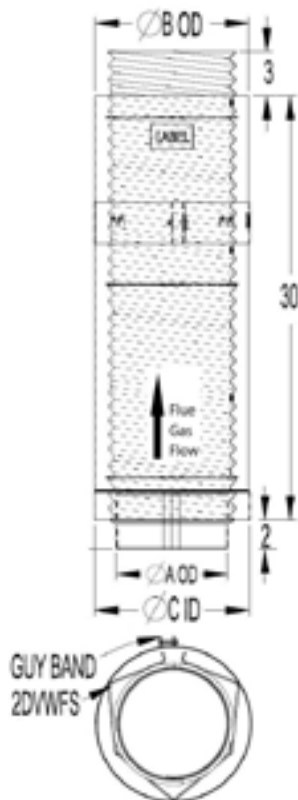
A	B	C	Part Number	Included in Kits	For Use With
5.25	9.75	18	2DVAFL35	2DVK05F	2DVK305__VX
6.25	10.75	19	2DVAFL46	2DVK06F	2DVK(3,4)06__VX
7.25	11.75	20	2DVAFL47	2DVK07F	2DVK(4,5)07__VX
7.75	12.25	20.5	2DVAFL4.57.5	2DVK07.5F	2DVK4.507.5__VX
8.25	12.75	21	2DVAFL58	2DVK08F	2DVK(5,6)08__VX
10.25	14.75	23	2DVAFL710	2DVK10F	2DVK710__VX
11.25	15.75	24	2DVAFL811	2DVK11F	2DVK811__VX

Direct Vent Kits

DVK Dimensional Data

Rigid (Pipe)

A	Part Number	Included in Kits
4.95	2DVR35	2DVK305_VX
5.95	2DVR46	2DVK(3,4)06_VX
6.95	2DVR47	2DVK(4,5)07_VX
7.45	2DVR4.57.5	2DVK4.50.75_VX
7.95	2DVR58	2DVK(5,6)08_VX
9.95	2DVR710	2DVK710_VX
10.95	2DVR811	2DVK811_VX



Rigid Extension (Pipe)

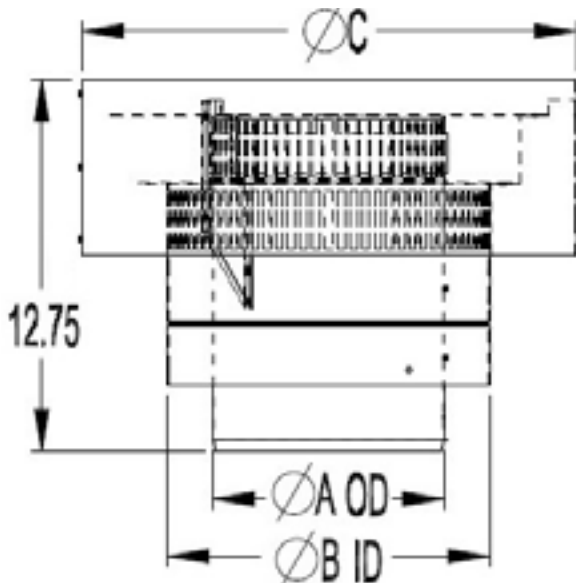
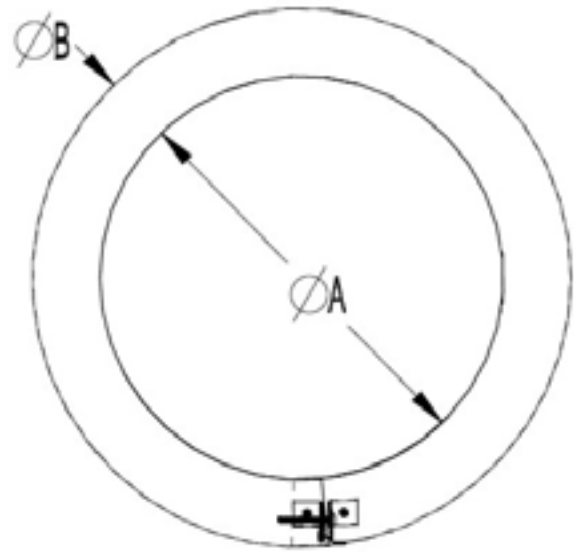
A	B	C	Part Number	Included in Kits	For Use With
2.95	4.95	5	2DVRE35	2DVKRE35	2DVK305_VX
2.95	5.95	6	2DVRE36	2DVKRE36	2DVK306_VX
3.95	5.95	6	2DVRE46	2DVKRE46	2DVK406_VX
3.95	6.95	7	2DVRE47	2DVKRE47	2DVK407_VX
4.45	7.45	7.5	2DVRE4.57.5	2DVKRE4.57.5	2DVK4.507.5_VX
4.95	6.95	7	2DVRE57	2DVKRE57	2DVK507_VX
4.95	7.95	8	2DVRE58	2DVKRE58	2DVK508_VX
5.95	7.95	8	2DVRE68	2DVKRE68	2DVK608_VX
6.95	9.95	10	2DVRE710	2DVKRE710	2DVK710_VX
7.95	10.95	11	2DVRE811	2DVKRE811	2DVK811_VX

Direct Vent Kits

DVK Dimensional Data

Storm Collar

A	B	Part Number	Included in Kits
4.88	8.75	2DVSC35	2DVK305__VX
5.88	9.75	2DVSC46	2DVK(3,4)06__VX
6.88	10.75	2DVSC47	2DVK(4,5)07__VX
7.38	11.25	2DVSC4.57.5	2DVK4.50.75__VX
7.88	11.75	2DVSC58	2DVK(5,6)08__VX
9.88	13.75	2DVSC710	2DVK710__VX
10.88	14.75	2DVSC811	2DVK811__VX



Vertical Termination

A	B	C	Part Number	Included in Kits
2.95	5	11	2DVVT35	2DVK305__VX
2.95	6	12	2DVVT36	2DVK306__VX
3.95	6	12	2DVVT46	2DVK406__VX
3.95	7	13	2DVVT47	2DVK407__VX
4.45	7.5	13.5	2DVVT4.57.5	2DVK4.50.75__VX
4.95	7	13	2DVVT57	2DVK507__VX
4.95	8	14	2DVVT58	2DVK508__VX
5.95	8	14	2DVVT68	2DVK608__VX
6.95	10	16	2DVVT710	2DVK710__VX
7.95	11	17	2DVVT811	2DVK811__VX



20 Commerce Park North
Bedford, New Hampshire 03110-6911
tel: 603.669.5136 fax: 603.669.0309

452 Attwell Drive
Etobicoke, ON M9W 5C3
tel: 416.679.0045 fax: 416.679.0051

www.z-flex.com email sales@z-flex.com